



PRODUCT NUMBER
H2-EXT-651

BILLET HOOD HANDLE INSTRUCTION MANUAL

Congratulations on the purchase of your new accessory by Predator Motorsports Inc. As with all products, proper installation is the key to obtaining all of the benefits your accessory is capable of delivering. Please take a few minutes to read through the instructions to identify the components and learn where and how they are used. It is a good idea to start by comparing the parts in your kit with the parts list below. Be sure to take all applicable safety precautions during the installation of this product.



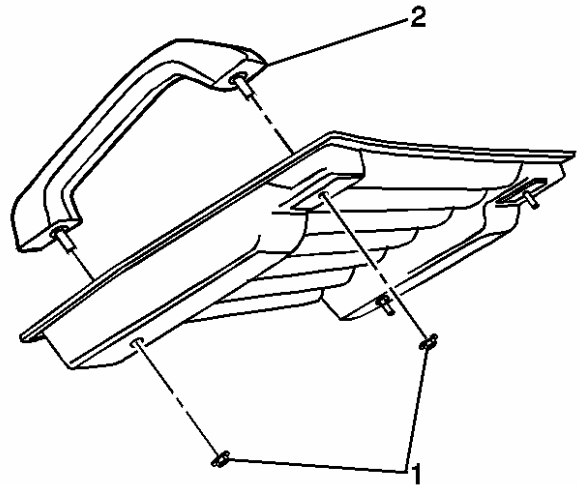
<u>Parts List</u>	<u>Quantity</u>	<u>Tools Required</u>
-------------------	-----------------	-----------------------

Billet Hood Handle	2	• Allen Wrench Set
40mm Set Screw	4	•
		•
		•

INSTRUCTIONS

Removal Procedure

1. Open Hood.
2. Remove fasteners/nuts (1) retaining the hood panel insert to the hood.
3. Remove retaining clips holding the handles to the hood panel insert.
4. Remove the hood handle (2) from the hood panel insert.



Installation Procedure

1. Install supplied set screws into hood billet handles and tighten to 15 ft/lbs.
2. Place hood panel insert with handles on hood and align.
3. Install fasteners/nuts (1) retaining the hood panel insert and handles.
4. Tighten fasteners/nuts to 7 ft/lbs.
5. Close hood.

